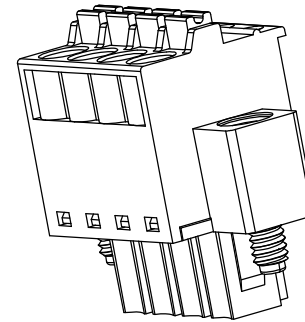
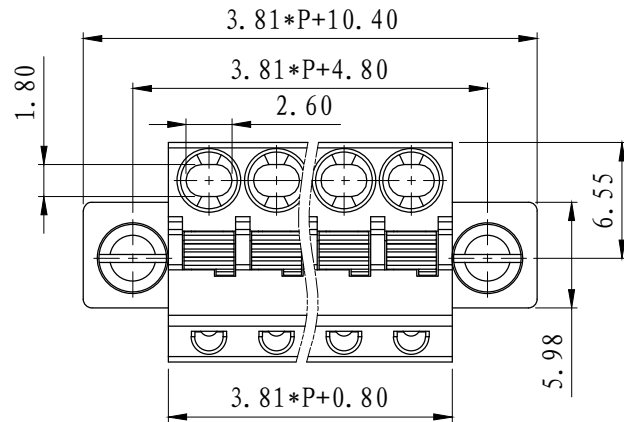
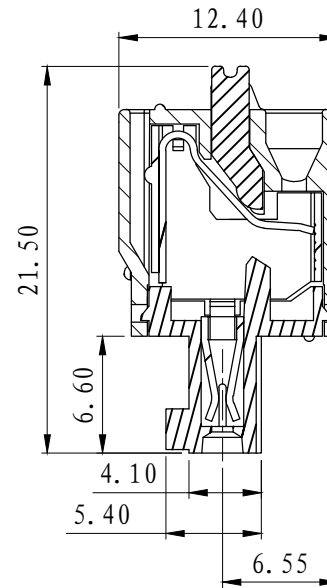
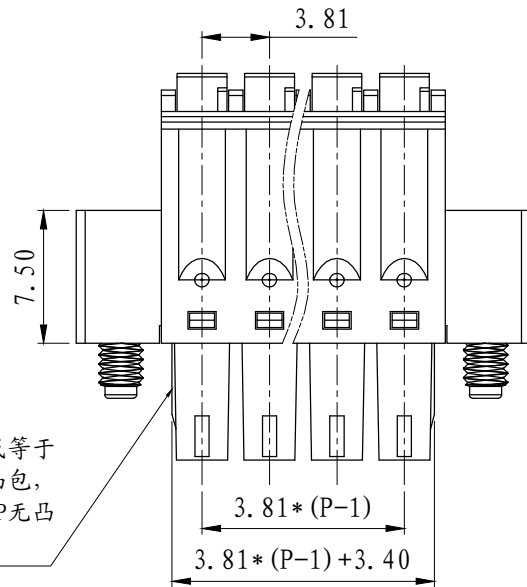


REVISION RECORD			
REV.	CONTENT	MOD.	DATE
△	初版发行		



NOTES:
 Pitch : 3.81mm
 Rated Voltage : 300V
 Rated Current : 8A
 Withstand Voltage :
 AC2500V for 1 minute
 Using Temperature Range :
 - 40°C ~ + 105°C
 Wire range : 28~ 16AWG



技术要求:
 间距: 3.81mm
 额定电压: 300V
 额定电流: 8A
 耐电压值: AC2500V/min
 使用条件: -40°C ~ +105°C
 适用线规: 28~16AWG

	pitch dimension			Nominal dimension					—
	over 0	over 6	over 10	over 0	over 30	over 60	over 100	over 150	
variable range	to 6	to 10	to 24	to 30	to 60	to 100	to 150		
Tolerance	±0.1	±0.15	±0.25	±0.2	±0.3	±0.5	±0.7	±1.0	0.05/10

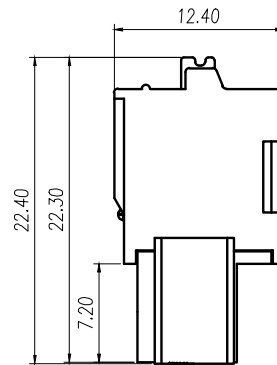
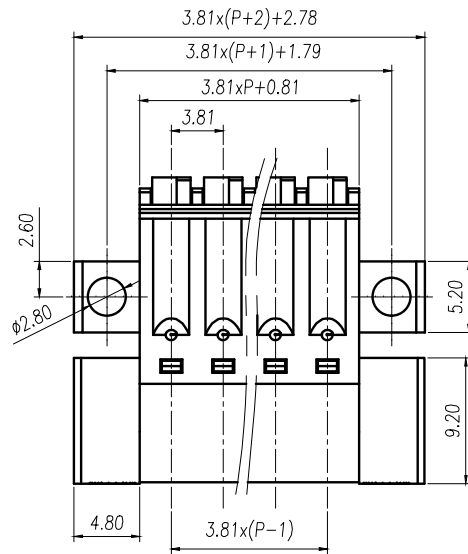
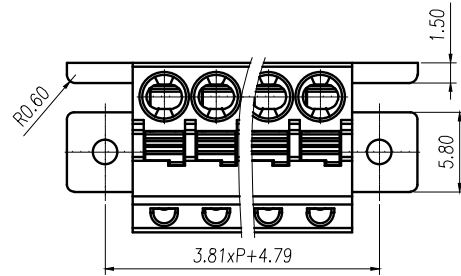
6	LC1-耳朵螺丝	SP0YA255101V	2	碳钢	三价铬钝化彩锌
5	LC6-3.81-弹片	F2A0DLC638BV	P	不锈钢	
4	LC6-3.81-夹子	1043B0001AV	P	磷青铜	镀镍
3	LC6-3.81-按钮	1043D0YXXAV	P	POM	
2	LC6-3.81-盖板	1043C0YXXAV	1	PA66-V0	
1	LC6M-3.81-主体	1043M0YXXAV	1	PA66-V0	
NO.	NAME OF PART	NO. OF PART	Q'TY	MATERIAL	NOTES
DES.	CMZ	DATE	25/01/03	UNITS	mm
CHK.	HH	DATE	25/01/03	SIZE	A4
APP.		DATE		SCALE	
				DWG NO.	SP-2-1043001
				REV:	V0



上海联捷电气有限公司
 Shanghai Elinker Electric CO.,LTD

TITLE

LC6M-3.81-XXP-1Y-00A
 LC6M-3.81-成品



REVISION RECORD			
REV.	CONTENT	MOD.	DATE
①	初版发行		

NOTES1:

UL Standard:

1.Voltage Rating: 300V, Current Rating: 8A

2.Suitable Electric Wire: 28-16AWG

IEC Standard:

1.Voltage Rating: 160V, Current Rating: 8A

2.Suitable Electric Wire: 26-14AWG

NOTES2:

1.Pitch: 3.81mm

2.Withstand Voltage : AC2500V for 1 minute

3.Insulation Resistance : 500MΩ / DC500V

4.Using Temperature Range : - 40℃ ~ + 105℃

技术要求1:

UL 标准:

1. 额定电压: 300V, 额定电流: 8A

2. 适用线规: 28~16AWG

IEC 标准:

1. 额定电压: 160V, 额定电流: 8A

2. 适用线规: 26~14AWG

技术要求2:

1. 间距: 3.81mm

2. 耐电压值: AC2500V/min

3. 绝缘阻抗: 500MΩ/DC500V

4. 使用条件: -40℃~+105℃

	pitch dimension			Nominal dimension					— □ ○
	over 0 to 6	over 6 to 10	over 10 to 24	over 0 to 30	over 30 to 60	over 60 to 100	over 100 to 150	over 150	
variable range	0 to 6	6 to 10	10 to 24	0 to 30	30 to 60	60 to 100	100 to 150	150	□
Tolerance	±0.1	±0.15	±0.25	±0.2	±0.3	±0.5	±0.7	±1.0	0.05/10

6	LZ1-5.08-螺母	SM00B250000V	2	黄铜		
5	LC60-3.81五金件	2079B0001AV	P	磷青铜	镀亮锡	
4	LC6-3.81-弹片	F2A0DLC638BV	P	不锈钢		
3	LC6-3.81-按钮	1043D0YXXAV	P	POM		
2	LC60MG-3.81-盖板	2081N0YXXAV	1	PA66-V0		
1	LC60N-3.81-本体	2082A0YXXAV	1	PA66-V0		
NO.	NAME OF PART		NO. OF PART	Q'TY	MATERIAL	NOTES
DES.	WY	DATE	2022/10/21	UNITS	MM	THIRD ANGLE PROJECTION
CHK.		DATE		SIZE	A4	1 of 1
APP.		DATE		SCALE	1:1	REV: V0
 上海联捷电气有限公司 Shanghai Elinker Electric Co., LTD					TITLE	LC60NMG-3.81-XXP-1Y-00A
						LC60NMG-3.81-成品